

PROJECT: _____
 LOCATION: _____
 ITEM#: _____
 QUANTITY: _____


C-23RM-HC

C-49RM-HC

C-72RM-HC

HINGED GLASS DOOR REFRIGERATORS

- Beautiful ergonomic construction
- Digital temperature controller & read-out
- White powder coated steel exterior and interior
- Forced air refrigeration system
- Bottom mount compressor
- Recessed door handles
- LED interior lighting
- Bright lighted top display sign
- Low-E, Dual pane glass
- Heavy duty ABS extruded door frame
- Pre-installed casters and shelving
- 90 degree hold open door feature for loading products
- Door locks
- All Natural R290 Hydrocarbon Refrigerant
- US Department of Energy Certified
- Migali® Protection Plan: 2 Year Parts & Labor Warranty, 5 Years Compressor Warranty

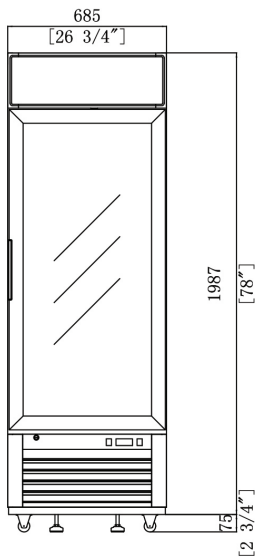
MODEL	DOORS	CAPACITY CU/FT	SHELVES	H/P	AMPS	VOLTAGE	ENERGY CONSUMPTION KWH/24 HR	PLUG TYPE	TEMP RANGE	EXTERIOR DIMENSIONS W X D X H*	INSIDE DIMENSIONS W X D X H**	PACKAGED DIMENSIONS W X D X H**	WEIGHT	PACKAGED WEIGHT
C-23RM-HC	1	23	4	3/8	6.1	115/60/1	1.7	Nema 5-15P	+33° F (~) +41° F	28.8" x 31.5" x 81"	22.2" x 25.1" x 60"	29" x 34" x 83"	265 lbs.	284 lbs.
C-49RM-HC	2	49	8	1/4+	7	115/60/1	3.4	Nema 5-15P	+33° F (~) +41° F	54.4" x 31.5" x 81"	49.7" x 25.1" x 60"	57" x 34" x 83"	445 lbs.	471 lbs.
C-72RM-HC	3	72	12	3/4	10.2	115/60/1	7	Nema 5-15P	+33° F (~) +41° F	82" x 31.5" x 81"	77.1" x 25.1" x 60"	84" x 34" x 83"	642 lbs.	657 lbs.

* Total height includes 3" casters

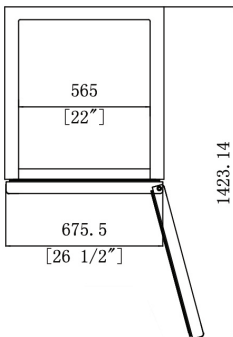
NOTE: MIGALI® RESERVES THE RIGHT TO CHANGE SPECIFICATIONS WITHOUT NOTICE

DIMENSIONAL DRAWINGS

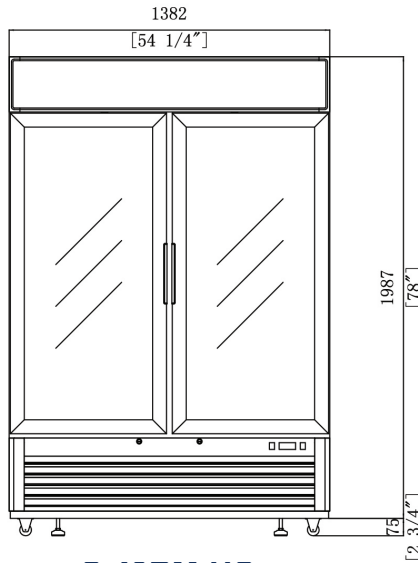
C-23RM-HC



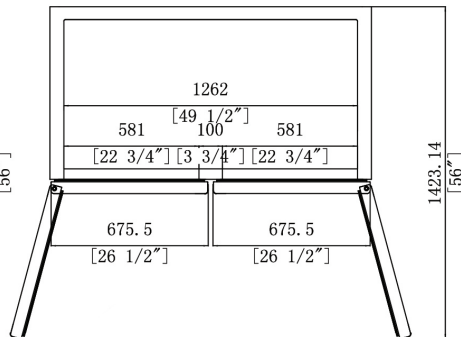
**C-23RM-HC
TOP VIEW**



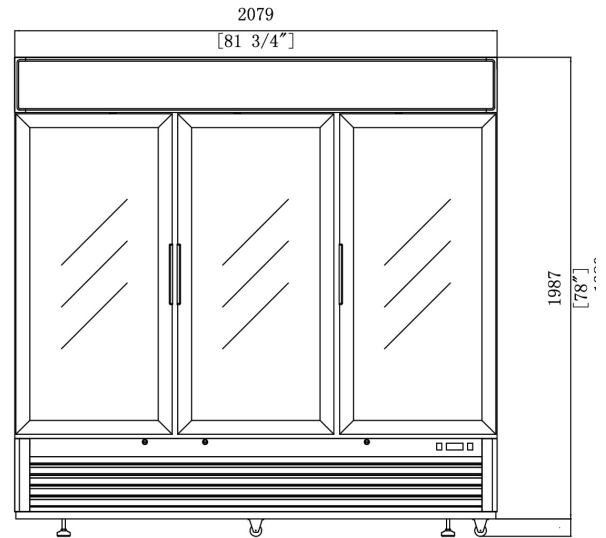
C-49RM-HC



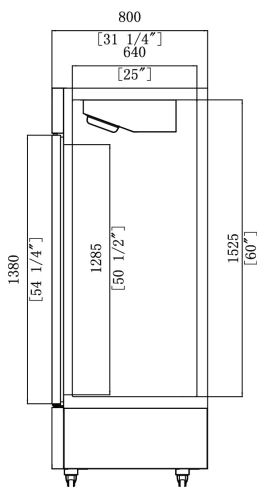
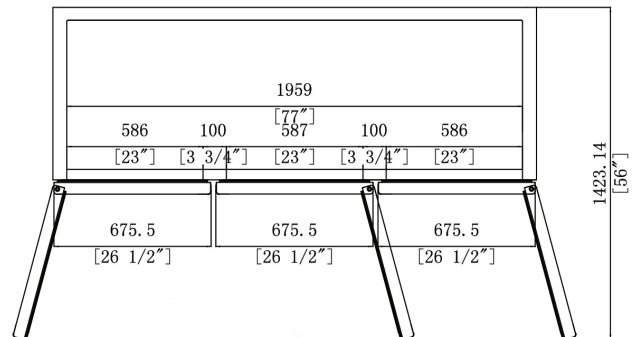
**C-49RM-HC
TOP VIEW**



C-72RM-HC



**C-72RM-HC
TOP VIEW**



SIDE VIEW (1,2,3) DOOR MODELS



MIGALI® REMAINS AN AMERICAN FAMILY COMPANY SINCE 1955